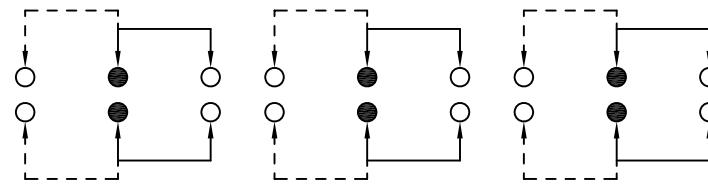
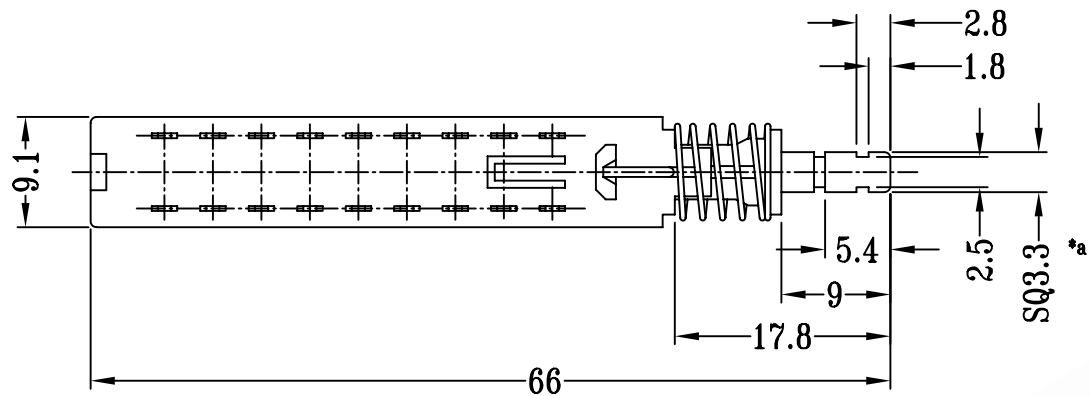
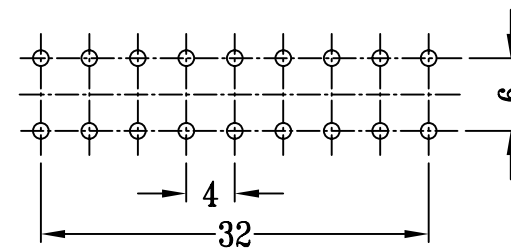
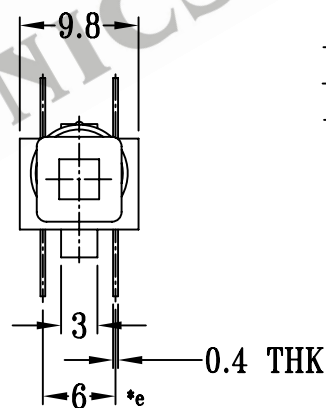
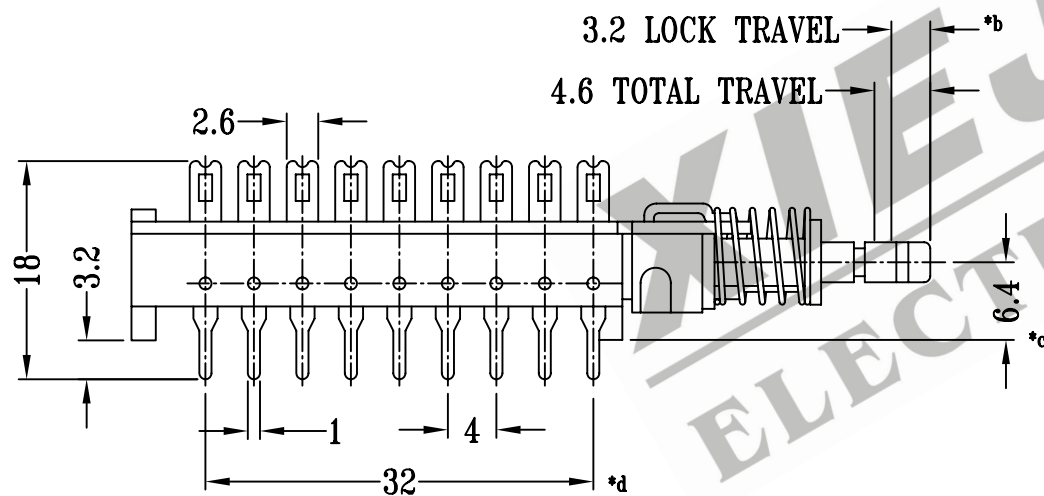


CAD FILE:



SCHEMATIC (NON-SHORTING)



P.C.B LAYOUT

注:带"*"表示关键尺寸(5个)

8					TOLERANCE	SHENZHEN XIEJIA ELECTRONICS CO.,LTD.				
7	CONTACT	BRASS STRIP	6	Ag PLATED	UNLESS SPECIFIED					
6	BASE	PC	1	CLEAR	WITHIN: 1.5±0.1mm					
5	TERMINAL	BRASS STRIP	18	Ag PLATED OVER Ni PLATED	OVER : 1.5±0.2mm	ISSUE	DATE	DESCRIPTIONS		APPD.
4	CASE	PC	1	BLACK	TITLE : PLASTIC PUSH SWITCH		UNIT : MM	DRWG NO.: XJ-DR-PBS62H01-00		
3	CAM STICK	STAINLESS STEEL	1	NATURAL	MODEL: PBS-62H01		SCALE: 3:2	DWN.	ZHOUYU	2001-11-8
2	SPRING	STAINLESS STEEL	7	TERMINAL	ALL MATERIALS MUST BE COMPLIANT TO ROHS			CHK'D	FANGYING	2001-11-8
1	KNOB	POM	1	WHITE			APPD.	KANGXINAN	2001-11-8	
NO.	PART NAME	MATERIAL	Q'TY	FINISHING						